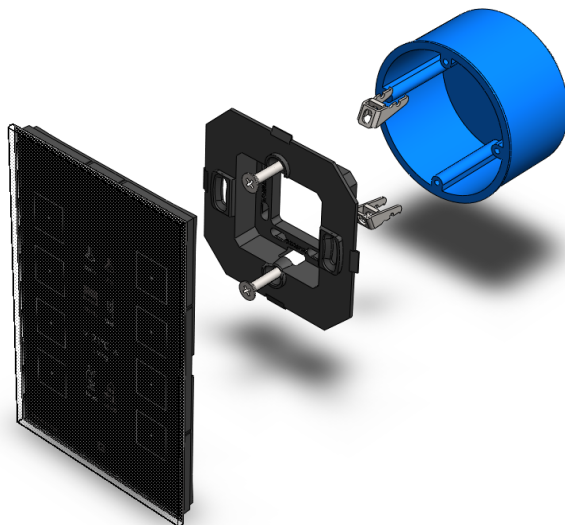


AURUS-OLED / AURUS-6 TEMP

INSTALLATION MANUAL

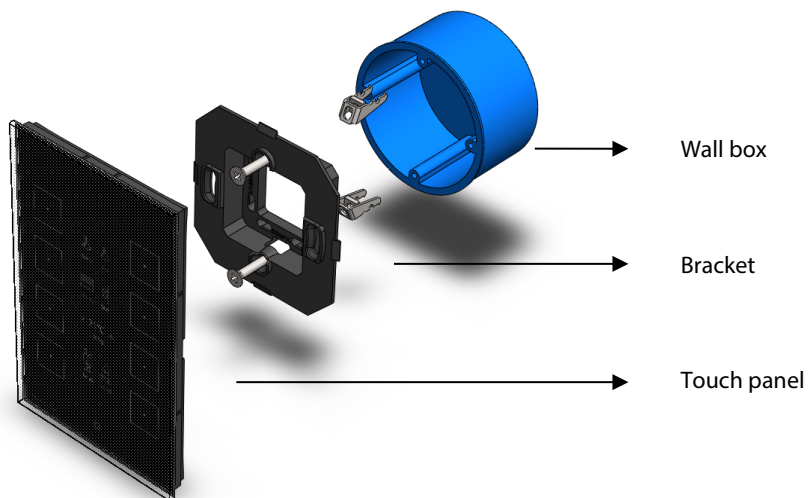
EN



Introduction

EN

This manual will quickly guide you through the installation of an AURUS-OLED and AURUS-6 TEMP touch panels. As usual with TELETASK input interfaces, the basic installation is done within a few minutes. But as the AURUS-OLED is able to control some of the most advanced features within a TELETASK project, this guide will reveal the possible options of this installation booklet.



The design of the AURUS-OLED enables you to place the touch panel both vertical as horizontal. The choice is up to you or your customer. However, the AURUS-6 TEMP must be installed only vertically.

If needed, the orientation of the AURUS-OLED (not for AURUS-6 TEMP) is very easy to change. It is done by changing one selection in your PROSOFT project file (.nbt).

You don't need to remove the bracket as it has been designed to both hold a horizontal as well as a vertical AURUS-OLED.

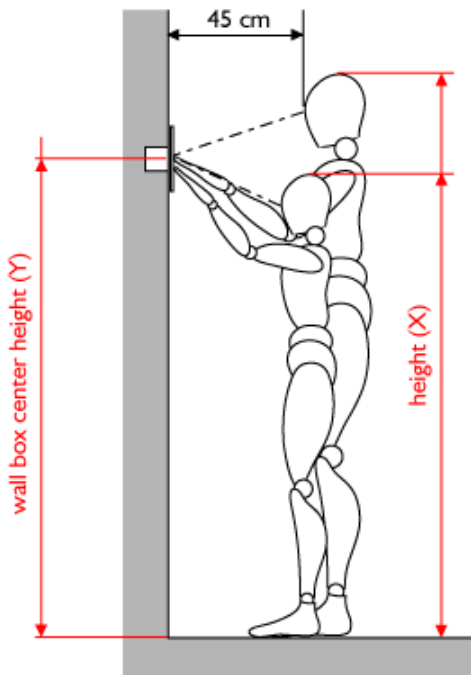
Please follow the correct instructions on how to detach the AURUS from its bracket.

Connections

Connecting the AURUS touch panel to the AUTOBUS can be done using the supplied AUTOBUS connector set. Lead the AUTOBUS connector through the wall-bracket, into the AUTOBUS connector on the AURUS touch panel.

Don't forget to set the AUTOBUS address before positioning. This is done through the TENS & UNITS rotary switches at the back of the AURUS panel.

Installation height



X	Age	Y	Z
$115 < X < 125$	(6)	90	140
$125 < X < 135$	(8)	105	155
$135 < X < 145$	(10)	115	170
$145 < X < 155$		125	
$155 < X < 165$		135	
$165 < X < 175$		145	
$175 < X < 185$		155	
$185 < X < 195$		165	
$195 < X < 205$		175	

All values in cm

Z = maximum reach height.

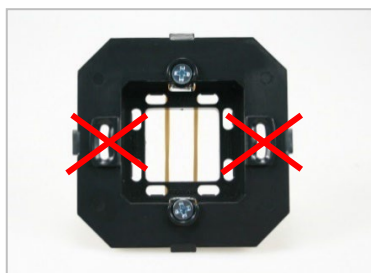
Example: When the display is positioned at 140cm, in average children at 6 years or older will be able to reach the touch control.

Remark: To be able to control the touch panel from out of a wheelchair, the wall box height (Y) should not be higher than 90cm.

Using claws (not recommended)

EN

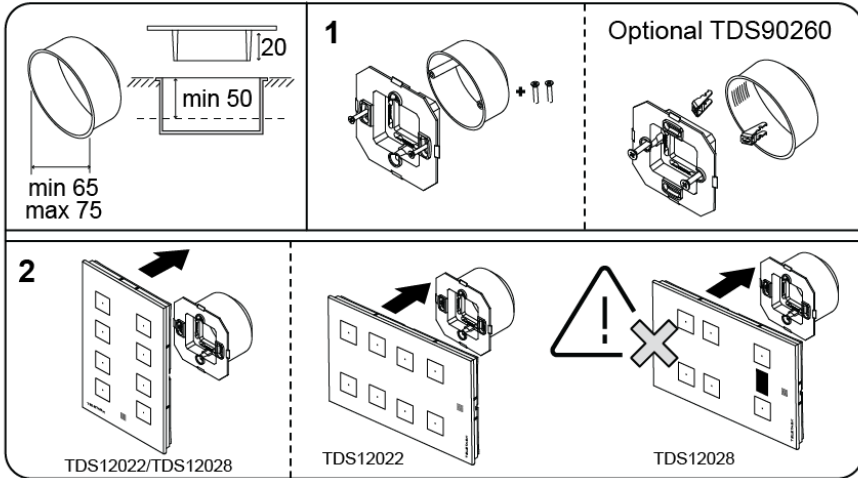
To assemble the supplied claws correctly, and only in this case, you should use the round holes in the wall bracket instead of the oval ones. So if you use claws, don't use the two longer holes as seen on the below pictures:



Mounting

EN

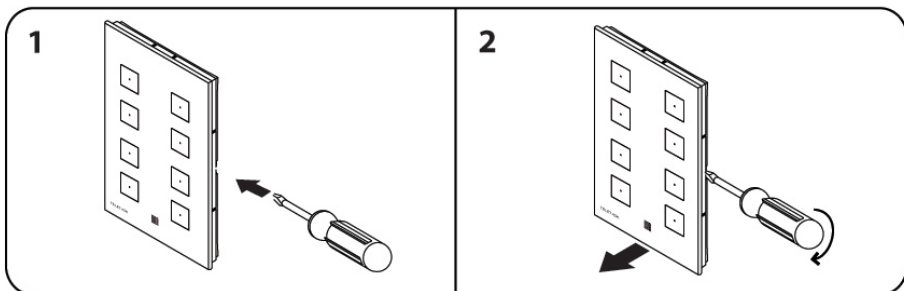
Wall boxes with build-in screws at 60mm distance from each other, can be used to mount the AURUS-OLED. In case your wall box does not have screws, you can use the provided claws.



RECOMMENDED wall boxes: TDS90000 and TDS90000PB. The TDS90000 is used in brick walls, while the TDS90000PB is used in plaster board or wood panel walls.

Demounting

EN



To remove the AURUS panel out of the wall bracket, place a flat screw driver into the holes at the sides of the AURUS panel. The wall bracket is provided with two clips which protect the wall during this action! Do not remove the AURUS-panels by pulling the glass front panel, or warranty will void.